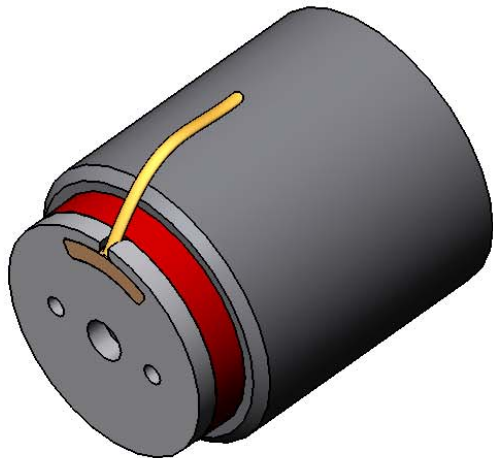
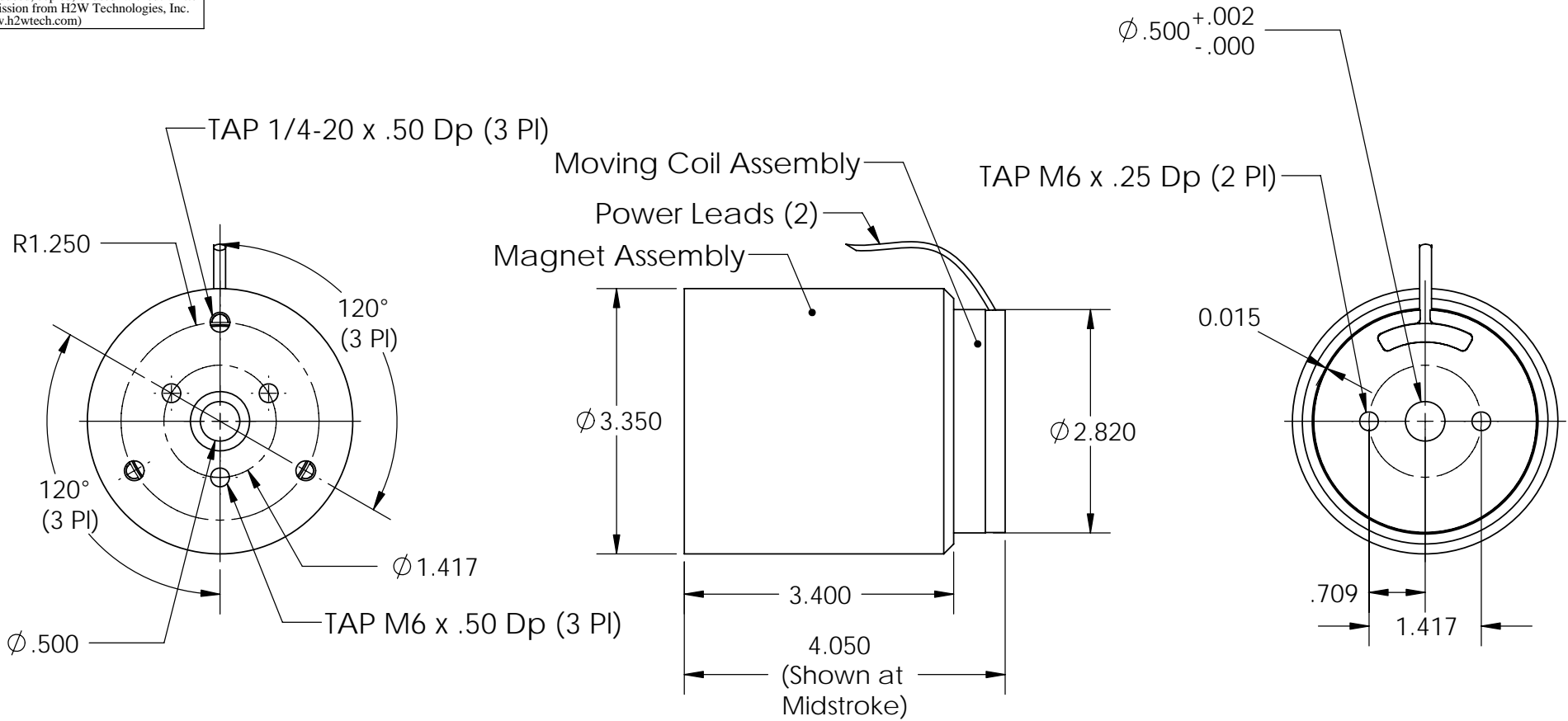


These drawings and specifications are the property of H2W Technologies, Inc. They are issued in confidence and shall not be reproduced, copied, or used without written permission from H2W Technologies, Inc. (www.h2wtech.com)



UNLESS SPECIFIED OTHERWISE:
All dimensions are in inches
Standard Tolerances are as follows
.XXX $\pm .005$ ANGLES $\pm 1^\circ$
XX $\pm .010$ FILLETS $.010$
X $\pm .020$ CORNERS $.010$
Remove All Burrs and Sharp Edges

MATERIAL			
FINISH			
DRAWN	DATE	APPROVED	DATE
JRM	6-15-06	MPW	6-15-06

TITLE			
Non-Commutated DC Linear Actuator			
Model# NCC08-34-350-2H			
DWG #	REV	SHEET	
30-1012	---	1 of 2	

H2W Technologies, Inc.
28310-C Ave Crocker Valencia, CA 91355 USA
Tel: (661)-702-9346 Fax: (661)-702-9348
www.h2wtech.com

MOVING COIL NON-COMM ACTUATOR SPECIFICATIONS		
Motor P/N	NCC08-34-350-2H	
Stroke	0.80"	20.3 mm
Radial Clearance	0.015" per side	0.38 mm per side
Bearing Type	None Provided	
Moving Mass	1.0 lbs	0.46 kgrams
Total Mass	7.4 lbs	3.35 kgrams
Resistance @ 20C	6.25 ohms	
Inductance @ 20C	5.0 mH	
Electrical Time Constant	0.80 msec	
Motor Constant	4.98 LBS/SQRT(Watt)	22.6 N/SQRT(Watt)
Force Constant	12.8 LBS/Amp	56.9 N/Amp
Back EMF	1.4 V/ips	56.9 V/m/sec
Continuous Force	30 LBS	134 N
Max Power @ 100% Duty	36 Watts	
Peak Force	90 LBS	401 N
Max Power @ 10% Duty	330 Watts	